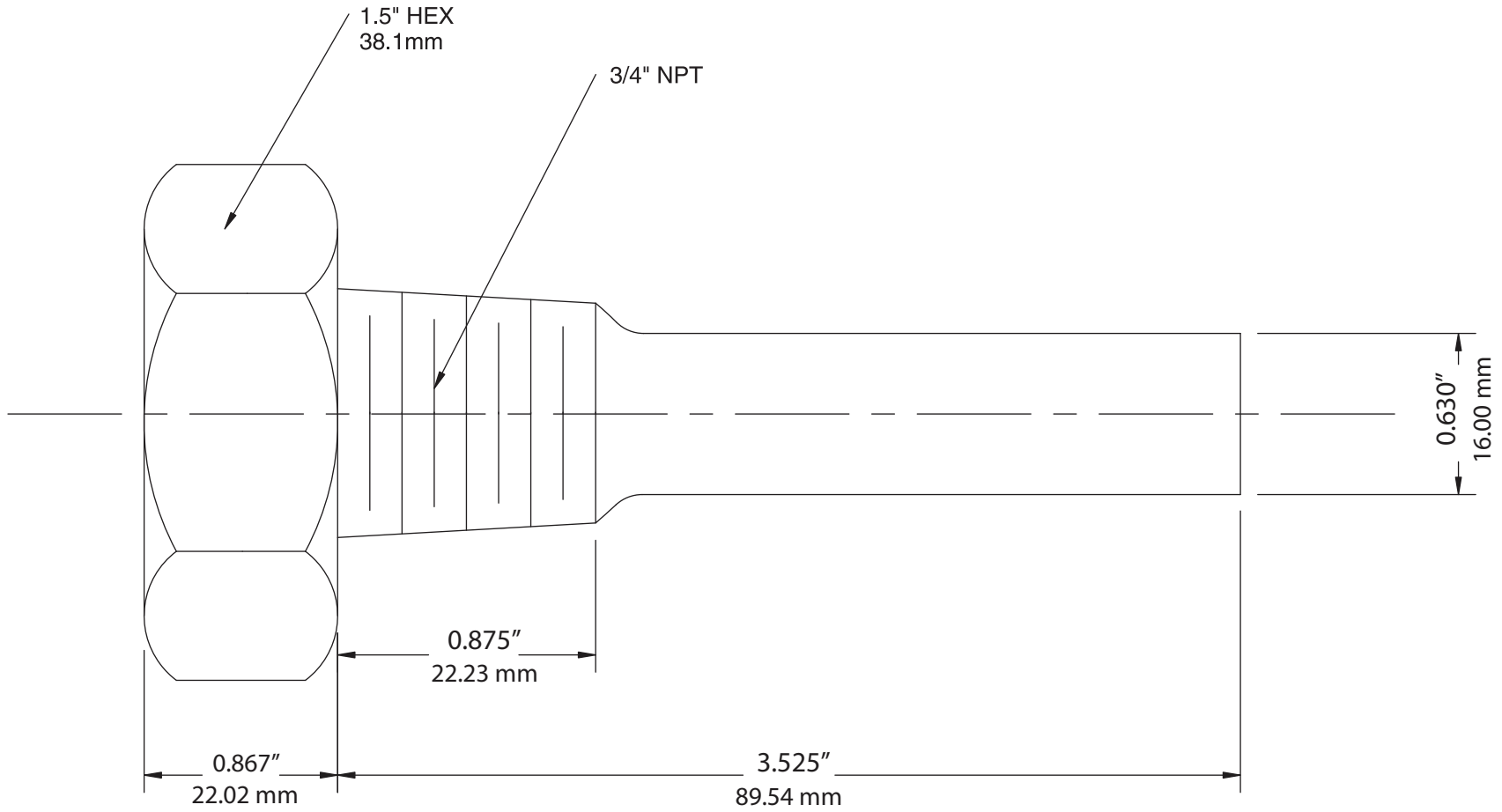


Material: 304 SS / 316 SS
 Bore Diameter: 7/16" tapered
 Construction: Stepped standard (straight available)
 Thermometer connection: 1 1/4" UNEF



DRAWN BY: ROBIN LUGTU

ENG. APPROVAL: DR

ALL DIMENSIONS IN INCHES

TOLERANCES
(unless otherwise stated)

| | |
|-------------|-------|
| Fractional: | 1/64" |
| Decimal: | 0.06" |

REVISION No and DATE: #2, Feb. 12, 2017

TITLE:

INDUSTRIAL 9IT THERMOWELL, W01

DRAWING NO: TIW01-1, TIW01-2